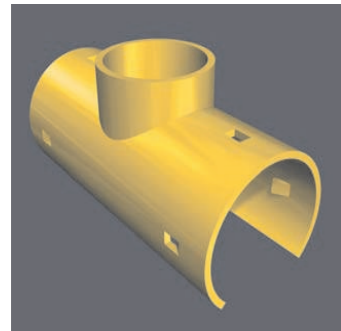
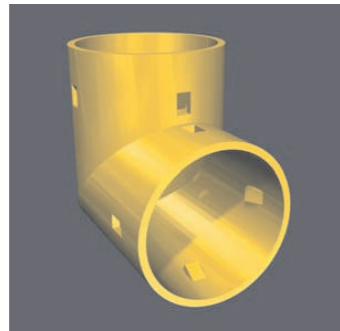


# PVC pipes

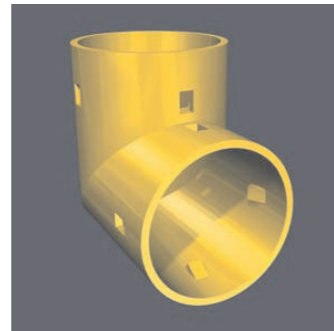
## drainage pipes



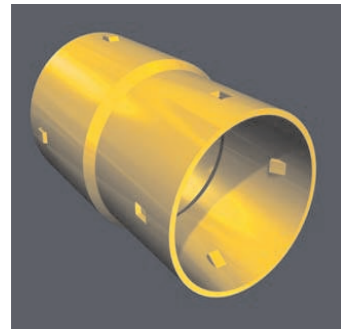
**Branch connection**  
d/d 50/50, 65/65, 80/80,  
100/100, 125/125



**Bend 90°**  
d 50, 65, 80, 100, 125



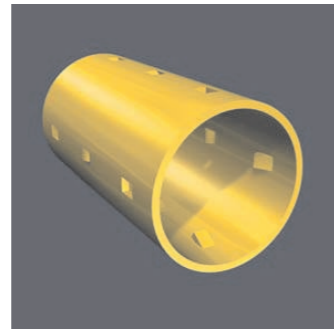
**Branch connection bend**  
d 50, 65, 80, 100



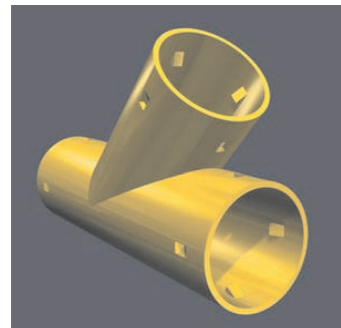
**Reducer**  
d/d 65/50, 80/50, 80/65,  
100/80, 125/80, 125/100



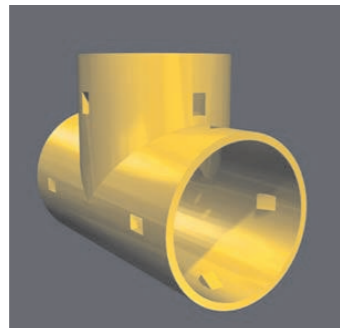
**Cover**  
d 50, 65, 80, 100, 125



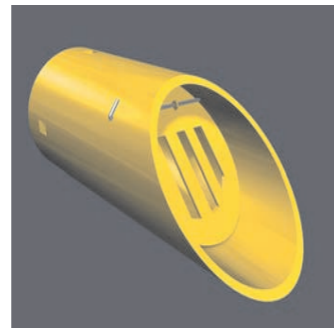
**Coupling**  
d 50, 65, 80, 100, 125



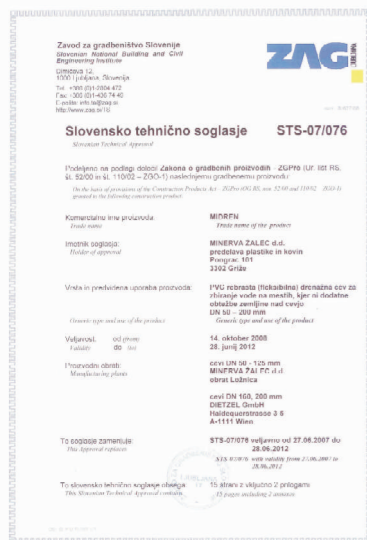
**T - piece 45°**  
d/d 50/50, 65/65, 80/80,  
100/100, 125/125



**T - piece**  
d/d 1 65/50, 80/50, 80/65,  
100/50, 100/65



**Outlet pipe**  
0,5, 1, 1,5, 2 m



The manufacturer reserves the right to make potential technical changes.

ISO 9001

BUREAU VERITAS  
Certification



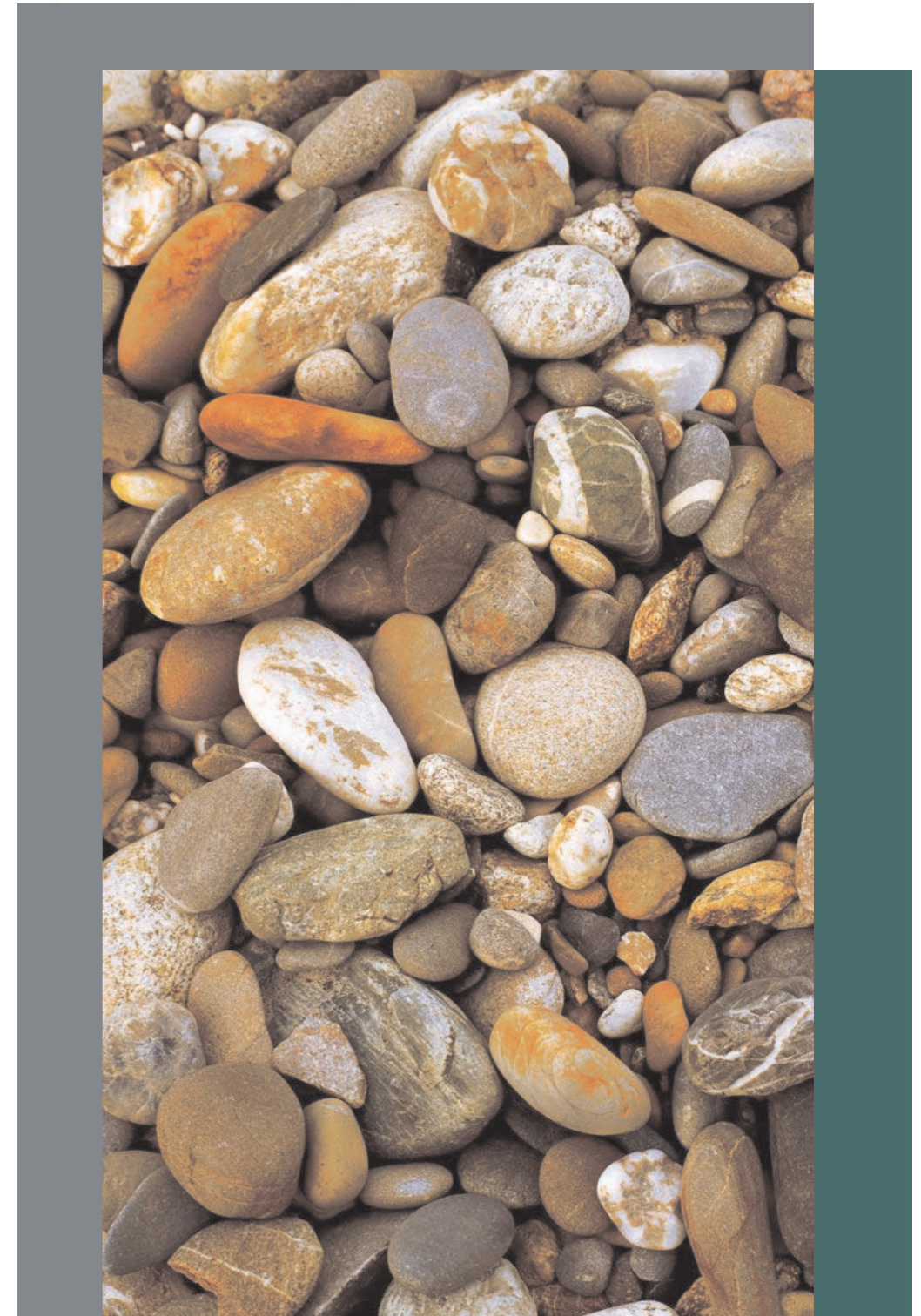
**MINERVA ŽALEC, d.d.**

predelava plastike in kovin • Ložnica pri Žalcu 37 • 3310 Žalec  
tel.: +386 (0)3 71 36 200 • fax: +386 (0)3 71 36 202  
e-mail: uprava@minerva.si • web: <http://www.minerva.si/>

# PVC pipes

## drainage pipes

 **MINERVA ŽALEC d.d.**



# PVC pipes

## drainage pipes



Ground containing a high level of water must be drained in order to efficiently cultivate the land or build residential or sports facilities, roads, etc.

The first drainage systems used clay pipes for this purpose. They proved very effective, but they demanded a great investment of labour and time.

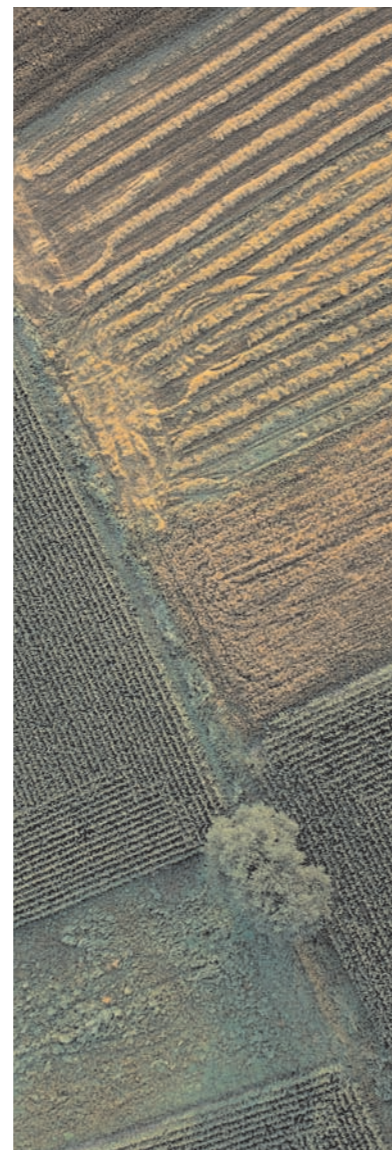
In the recent years, new materials and technological procedures are being used in drainage systems. They are a result of a need for higher efficiency and quality. Both can be achieved with the use of products available in the plastics industry. Among them, flexible PVC drainage pipes are an important product. They have all the characteristics required by the DIN 1187 standard and Ö NORM B 5140, used in laboratories of all modern manufacturers to test the quality of their product.

Our company manufactures pipes of the following sizes: Ø50, 65, 80, 100 and 125 mm, wound on drums in lengths of 50 or 200 m, or on customer's request. The pipes and connecting elements, another of our products, are made of polyvinyl chloride. The Midren pipe is ribbed, which increases its strength and flexibility. The weight of the pipe is minimal, i.e. a drum with 200 m of Ø50 pipe weighs 30 kg.

Drainage pipes are installed manually or mechanically, depending on the extent of land intended for drainage. In agriculture, where surface areas are wide, mechanical installation is necessary, since it is more precise, much quicker, etc.

The pipes can be lined with filtering material when they are installed into the ground. The filter increases the hydraulic capacity of the drainage and slows down clogging of the pipe. Filtering materials used are either natural (sand, gravel or coconut fibres) or synthetic (synthetic fibres, foam plastics). Contact us for detailed information regarding the choice, purchase or installation of drainage pipes.

We are producing drainage pipes according to Ö NORM B 5140, DIN 1187 and STS 07/076 (Slovenian technical approval).



Agricultural drainage

# PVC pipes

## drainage pipes



Technical data							
Nominal pipe diameter		50	65	65	80	100	125
Outer pipe diameter (mm)		50 ±0,5	65 ±0,5	65 ±0,5	80 ±0,5	100 ±0,5	125 ±0,5
Inner pipe diameter (mm)		44	58	58	71,5	91	115
Inlet width		Type II	Type II	Type II	Type II	Type II	Type II
Number of different inlets		8	6	8	8	8	8
Actual surface of water inlets (cm <sup>2</sup> /m)		35,2-47,0	24,9-38,8	33,1-44,2	29,2-45,4	26,9-42,0	24,9-38,8
Drum dimensions	Pipe length (m)	200/50	150/50	150/50	100/50	50	50
	Inner diameter (m)	0,5	0,6	0,6	0,7	0,7	0,96
	Outer diameter (m)	1,3	1,4	1,4	1,4	1,4	1,66
	Width (m)	0,42/0,32	0,48	0,48	0,52	0,52	0,58

Water inlet width according to DIN 1187:

